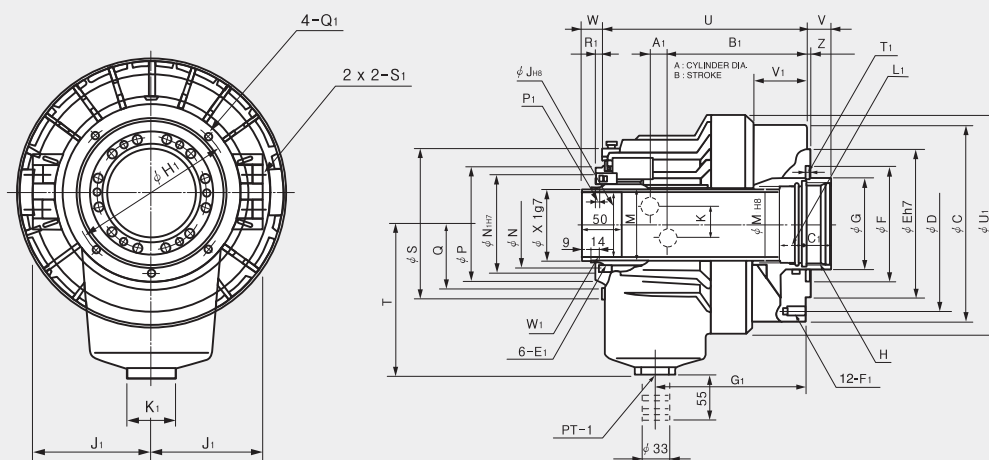


SYHL

OPEN-CENTER LONG-STROKE CYLINDER



Long-stroke high-speed open-centered hydraulic cylinder with built in lock and relief valves



Dimensions

	C	D	E	F	G	Hmax.	J	K	M	N	P	Q	S	T	U	Vmax.	Vmin.	Wmax.	Wmin.	Z	A1
SYHL-1246	155	130	100	80	65	M55x2.0	46	36	52.9	64	85	51.5	118	115	205	27	-5	57	25	5	11.5
SYHL-1552	190	170	130	85	70	M60x2.0	52	36	59.6	73	96	57	137	130	208	29	-5	59	25	5	12
SYHL-1877	215	190	160	120	95	M85x2.0	75	36	84.6	98	121	70	166	160	246	35	-5	65	25	5	17.5
SYHL-2091	240	215	180	140	110	M100x2.0	91	34	99.6	108	138	79	182	185	273	50	0	75	25	5	21
SYHL-2816	290	290	260	240	190	M180x3.0	166.5	30	174.6	188	222	120	282	250	370	51	0	76	25	5	28

	B1	C1	E1	F1	G1	H1	J1	K1	L1	M1	N1	P1	Q1	R1	S1	T1	U1	V1	W1	X1
SYHL-1246	147.5	30	M6x9	M10x20	156	98	76	47	15	50	76	4	M5x10	6	PT 1/2	12	200	67	M52x1.5	50
SYHL-1552	153	30	M6x9	M10x20	162	110	86	47	15	55	85	4	M6x12	7	PT 1/2	12	220	68	M58x1.5	56
SYHL-1877	169.5	35	M6x9	M10x20	182.5	155	101	47	15	80	108	4	M6x12	7	PT 1/2	12	242	74	M84x2.0	81
SYHL-2091	188	35	M6x14	M12x24	203	165	110	47	15	95	120	4	M6x12	7	PT 1/2	12	267	86	M99x2.0	96
SYHL-2816	259	45	M6x12	M16x32	276	256	162	47	20	170	200	4	M6x12	7	PT 1/2	7	352	123	M173x2.0	170.5

Specifications

	Available I.D.	Cylinder Diameter(mm)	PISTON STROKE(mm)	Piston Surface Area		Piston Force		Max. Operating Pressure(MPa(kgf/cm ²))	Max. rpm min ⁻¹ (r.p.m)	GD ² N·m ² (kgf·m ²)	weight kgf	Total Leakage l / (min)	KITAGAWA Model
				push cm ²	pull cm ²	push KN(kgf)	pull KN(kgf)						
SYHL-1246	46	125	32	100	89	38 (3875)	33 (3365)	4.0(40.8)	7000	0.86 (0.088)	12.8	3.0	S-1246L
SYHL-1552	52	155	34	161	150	60 (6118)	56 (5710)	4.0(40.8)	6200	2.26 (0.23)	17	3.9	S-1552L
SYHL-1877	68,75,77	180	40	198	183	74 (7546)	69 (7036)	4.0(40.8)	4700	3.92 (0.40)	26.8	4.2	S-1875L
SYHL-2091	91	205	50	252	234	94 (9585)	88 (8973)	4.0(40.8)	3800	6.28 (0.64)	34.1	4.5	S-2091L
SYHL-2816	166.5	280	51	377	332	113 (11522)	100 (10196)	3.3(33.6)	2000	32.5 (3.31)	101	8.4	S-2816L

※ Certain models have several thru-hole sizes available. ※ Specifications are subject to change without notice.
 ※ The bore threading varies according to I.D.. The threading in column H applies to the standard I.D. in column J.