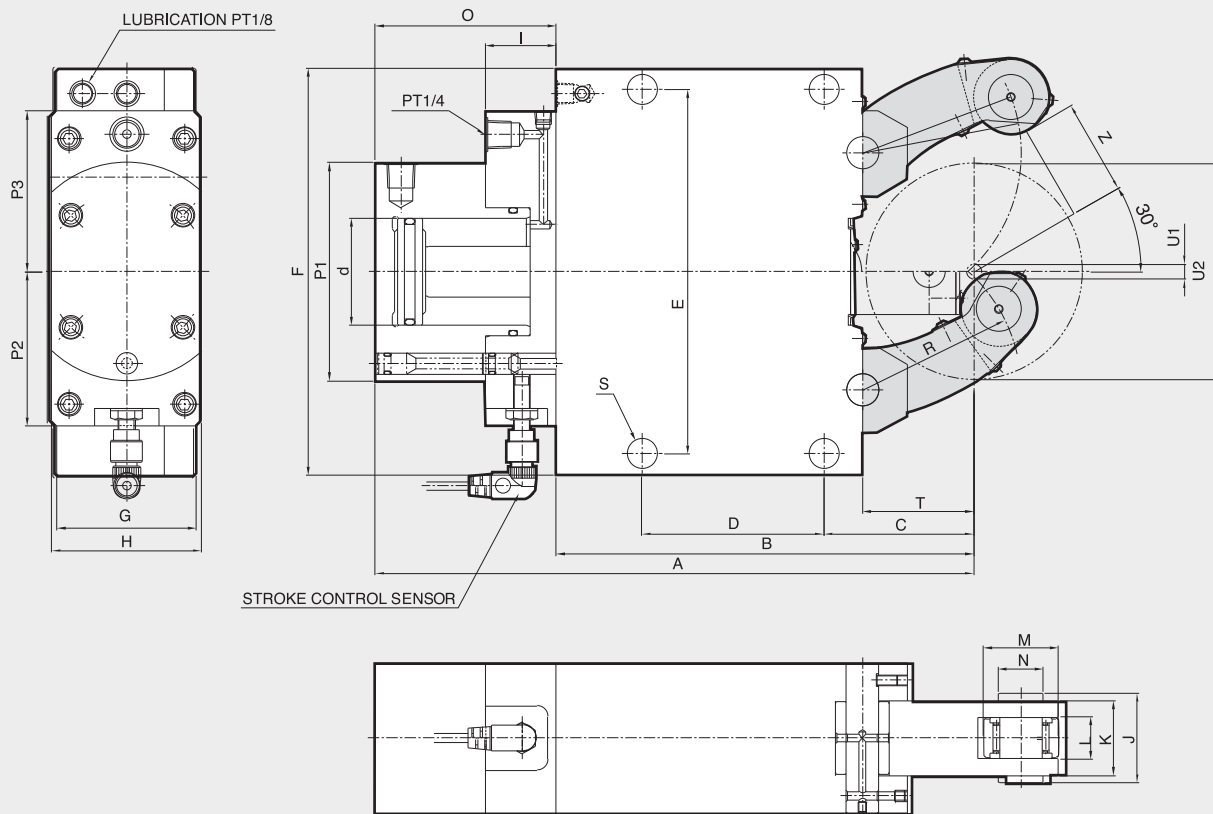


# STRA

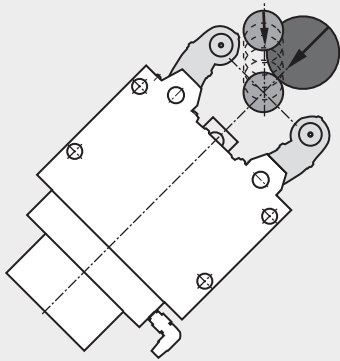
## Wide-Opening Self-Centering Steady Rest

- Improves machining accuracy by supporting unstable, heavy or long workpieces
- The arms and center rollers are interconnected and designed to self adjust to various size workpieces
- Improves durability by eliminating the need for springs
- The wide opening arm of the STRA series facilitates the loading and unloading of components and makes automation possible

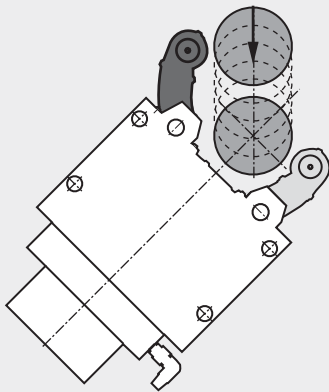
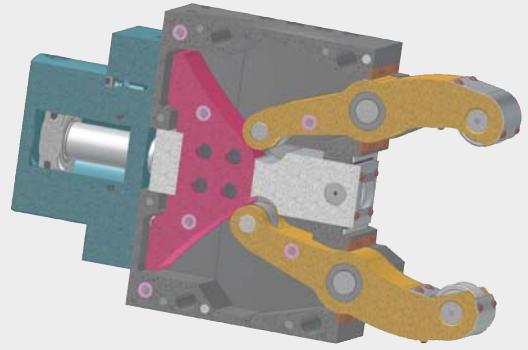


### Dimensions

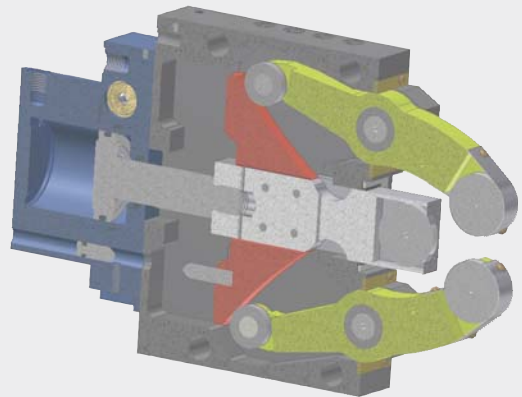
	A	B	C	D	E	F	G	H	I	J	K	L	M	N	O	P1	P2	P3	R	S	T	Z	U1	U2
STRA-1	207	137	51	64	118	132	55	70	33	24	20	12	19	6	70	84	66	66	50.5	11	37	26.5	4	52
STRA-2	279.5	195	70	85	170	190	70	70	33	42	35	19	35	21	84.5	102	72	75	74	14	52	41	8	80
STRA-3	431	312	115	135	262	290	85	100	37	52	45	25	47	25	120	137	90	100	119	18	85	66	12	130
STRA-3.1	440	320	123	135	262	290	85	100	37	52	45	25	47	25	120	137	90	100	124	18	93	76	22	150
STRA-4	608	448	146	240	365	400	110	144	37	67	60	25	52	32	160	165	102	110	172	23	128	111	30	220
STRA-5	688.5	510	178	270	400	440	145	144	37	83	75	29	62	36	187.5	165	102	110	209	23	160	135	50	268
STRA-6	944.5	709	215	330	640	680	145	158	37	83	75	29	80	42	235.5	190	115	130	290	27	175	230	160	460



■ STA  
Conventional model



■ STRA  
The wide opening arm of the STRA steady rest makes vertical loading and automation convenient



**Specifications**

Type	Piston Area [cm <sup>2</sup> ]	Max. Clamping Force / Roller [kgf]	Operation Pressure		Centering Range		Max. Roller Surface Speed [m/min]	Centering Accuracy [mm]	Repeatability Accuracy [mm]	Weight [kg]
			Max.	Min.	Max.	Min.				
STRA-1	7	100	50	6	52	4	800	0.02	0.005	6
STRA-2	19.6	450	70	8	80	8	800	0.02	0.005	14
STRA-3	50	1000	60	8	130	12	725	0.04	0.007	39
STRA-3.1	50	1000	60	8	150	22	725	0.04	0.007	40
STRA-4	78	1500	60	8	220	30	715	0.05	0.007	92
STRA-5	78	2000	80	8	268	50	700	0.06	0.01	152
STRA-6	132	3000	70	8	460	160	700	0.06	0.01	420