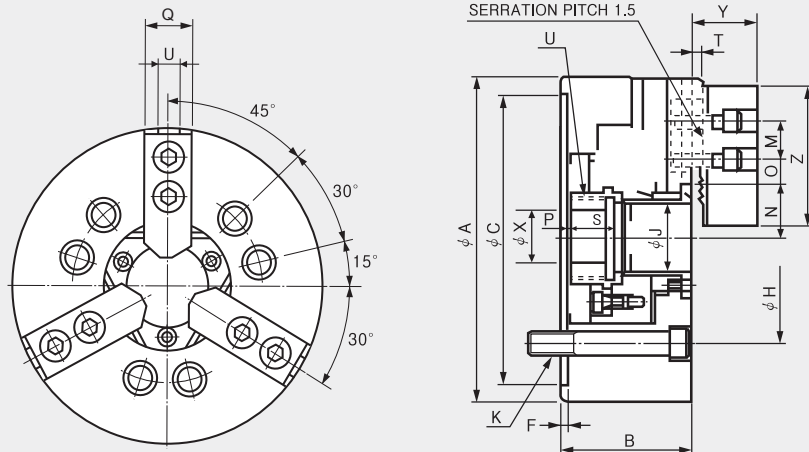


HSL

HIGH-SPEED OPEN-CENTER LONG-STROKE CHUCK



Long-stroke high-speed 3-jaw wedge-type open-center power chuck



Dimensions

	A	B	C(H6)	F	H	J	K	M	Nmax	Nmin	Omax	Omin	Pmax	Pmin	Q	R	S	T	Umax	W	X	Y	Z
HSL-06	169	87	140	5	104.8	33	3-M10	20	39.25	29.25	16.75	9.25	10	-5	31	12	24	2	M38×1.5	45	20	29	72
HSL-08	215	99	170	5	133.4	46	3-M10	25	52.3	39.6	70.5	11.5	15.5	-6.5	35	14	22.5	2	M55×2.0	66	37.5	39	95
HSL-10	254	110	220	5	171.4	53	6-M16	30	62	46.9	23.5	12	14.5	-10.5	40	16	25	2	M65×2.0	80	45	43	110
HSL-12	304	130	220	6	171.4	63	6-M16	30	72.4	54.4	36	14	15	-15	49	21	28	3	M75×2.0	83	50	51.5	111

※ Draw nut is blank.

Specifications

	Thru Hole Diameter (mm)	Grip Dia. (mm)		Jaw STROKE Diameter (mm)	PLUNGER STROKE (mm)	Permissible Input Force KN(kgf)	Max. Static Gripping Force KN(kgf)	Max. r.p.m min-(r.p.m)	weight kgf	GD ² N·m ² (kgf·m ²)	Operating Cylinder	Max. Hydraulic Pressure MPa(kgf/cm ²)	Operating HARD JAW	KITAKAWA Model
		Max.	Min.											
HSL-06	33	169	28	20	15	27.9 (2845)	31.2 (3182)	4500	14	1.67 (0.17)	SH-13046 (SYH-1246)	3.40 (34.7)	HB06A1	BL-206
HSL-08	46	215	32	25	22	41.1 (4191)	49.0 (4997)	3300	25	7.75 (0.79)	SH-15052 (SYH-1552)	2.99 (30.5)	HB08A1	BL-208
HSL-10	53	254	42	30	22	53.8 (5486)	63.0 (6427)	3000	45	12 (1.2)	SH-18077 (SYH-1877)	3.20 (32.6)	HB10A1	BL-210
HSL-12	63	304	43	35	25	69.3 (7067)	80.4 (8199)	2200	78	36 (3.67)	SH-21091 (SYH-2091)	3.22 (32.8)	HB12N1	BL-212

※ Maximum turning speed is based upon actual measurement.
 ※ Specifications are subject to change without notice.