

HAH

3-JAW OPEN-CENTER CHUCK WITH ADAPTOR (165MM - 304MM)



3-jaw wedge-style power chuck with adaptor plate

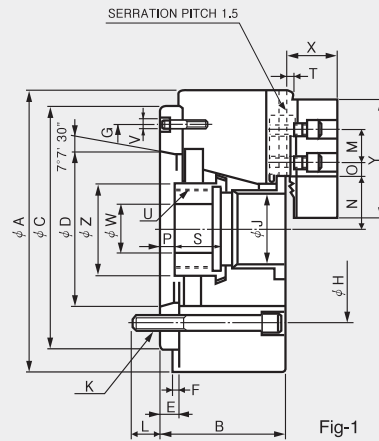
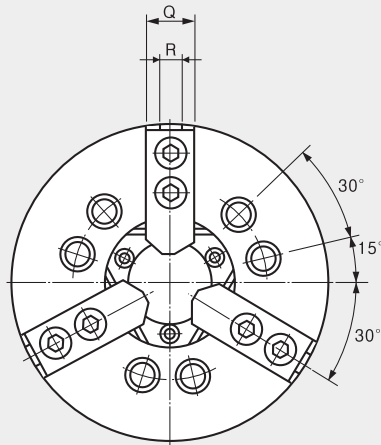


Fig-1

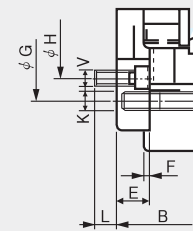


Fig-2

Dimensions

| | A | B | C(H6) | D | E | F | G | H | J | K | L | M | Nmax | Nmin | Omax | Omin | Pmax | Pmin | Q | R | S | T | Umax. | V | W | X | Y | Z |
|-----------|-----|-----|-------|---------|----|---|-------|-------|----|-------|------|----|------|-------|-------|-------|------|------|----|----|----|---|---------|-------|----|------|-----|------|
| HAH-06A05 | 165 | 93 | 140 | 82.563 | 15 | 5 | 116 | 104.8 | 33 | 6-M10 | 14 | 20 | 27.5 | 24.75 | 25.75 | 10.75 | 25 | 13 | 31 | 12 | 24 | 4 | M42×1.5 | 3-M6 | 16 | 35 | 72 | 48.8 |
| HAH-08A06 | 210 | 103 | 170 | 106.375 | 17 | 5 | 150 | 133.4 | 46 | 6-M12 | 18 | 25 | 35.7 | 32 | 31.25 | 13.25 | 20 | 4 | 35 | 14 | 30 | 5 | M55×2.0 | 6-M6 | 30 | 42 | 95 | 61 |
| HAH-10A06 | 254 | 120 | 220 | 106.375 | 25 | 5 | 171.4 | 133.4 | 65 | 6-M16 | 18.5 | 30 | 50 | 45.6 | 32.75 | 12.75 | 19 | 0 | 40 | 16 | 35 | 5 | M75×2.0 | 6-M12 | 45 | 46 | 110 | 84.5 |
| HAH-10A08 | 254 | 113 | 220 | 139.719 | 18 | 5 | 190 | 171.4 | 65 | 6-M16 | 25 | 30 | 50 | 45.6 | 32.75 | 12.75 | 12 | -7 | 40 | 16 | 35 | 5 | M75×2.0 | 3-M8 | 45 | 46 | 110 | 84.5 |
| HAH-12A06 | 304 | 129 | 220 | 106.375 | 25 | 6 | 171.4 | 133.4 | 78 | 6-M16 | 18.5 | 30 | 58 | 52.7 | 48.75 | 12.75 | 33 | 10 | 49 | 18 | 38 | 5 | M88×2.0 | 6-M12 | 50 | 53.5 | 129 | 96 |
| HAH-12A08 | 304 | 122 | 220 | 139.719 | 18 | 6 | 190 | 171.4 | 78 | 6-M16 | 25 | 30 | 58 | 52.7 | 48.75 | 12.75 | 26 | 3 | 49 | 18 | 38 | 5 | M88×2.0 | 3-M8 | 50 | 53.5 | 129 | 96 |

※ Refer to figure 2 for HAH-12A06, and HAH-15A8.

※ HAH-21A15 and HAH-24A15 are available with M22 or M24 mounting bolts.

Specifications

| | Spindle Nose No. | Thru Hole Diameter.(mm) | Grip Dia. (mm) | | Jaw STROKE Diameter. (mm) | PLUNGER STROKE (mm) | Permissible Input Force KN(kgf) | Max. Static Gripping Force KN(kgf) | Max. r.p.m min-(r.p.m) | weight kgf | GD° N·m²(kgf·m²) | Operating Cylinder | Max. Hydraulic Pressure MPa(kgf/cm²) | Operating HARD JAW | KITAKAWA Model |
|-----------|------------------|-------------------------|----------------|------|---------------------------|---------------------|---------------------------------|------------------------------------|------------------------|------------|------------------|---------------------|--------------------------------------|--------------------|----------------|
| | | | Max. | Min. | | | | | | | | | | | |
| HAH-06A05 | A2-5 | 33 | 165 | 12 | 5.5 | 12 | 20(2039) | 51(5200) | 5000 | 15 | 2.16(0.22) | HYH-1236 | 2.2(22.4) | HB06A1 | B-06A5 |
| HAH-08A06 | A2-6 | 46 | 210 | 13 | 7.4 | 16 | 31(3161) | 78(7954) | 4000 | 27 | 5.98(0.61) | SH-15052 (SYH-1522) | 2.2(22.4) | HB08A1 | B-08A6 |
| HAH-10A06 | A2-6 | 65 | 254 | 25 | 8.8 | 19 | 38(3875) | 99(10095) | 3500 | 44 | 14.71(1.50) | SH-8077 (SYH-8077) | 2.3(23.5) | HB10A1 | B-10A6 |
| HAH-10A08 | A2-8 | 65 | 254 | 25 | 8.8 | 19 | 38(3875) | 99(10095) | 3500 | 41 | 14.02(1.43) | SYH-8077 (SYH-8077) | 2.3(23.5) | HB10A1 | B-10A8 |
| HAH-12A06 | A2-6 | 78 | 304 | 19 | 10.6 | 23 | 49(4997) | 129(13150) | 3000 | 69 | 31.38(3.20) | SYH-2091 | 2.3(23.5) | HB12B1 | B-12A6 |
| HAH-12A08 | A2-8 | 78 | 304 | 19 | 10.6 | 23 | 49(4997) | 129(13150) | 3000 | 66 | 30.79(3.14) | SYH-2091 | 2.3(23.5) | HB12B1 | B-12A8 |

※ Blank and machined draw-nuts are available.

※ Specifications are subject to change without notice.

※ Maximum turning speed is based on actual measurements.

HAH

3-JAW OPEN-CENTER CHUCK WITH ADAPTOR (381MM - 610MM)



3-jaw wedge-style power chuck with adaptor plate

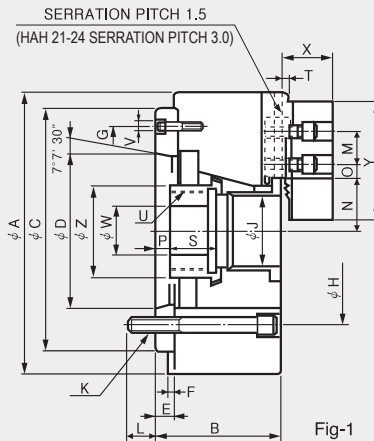
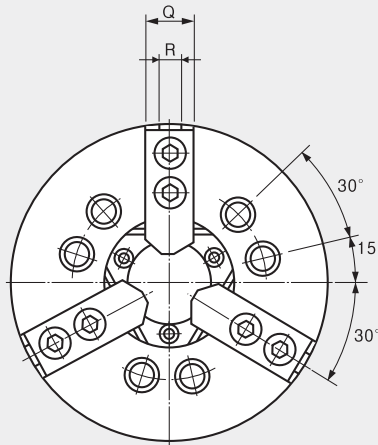


Fig-1

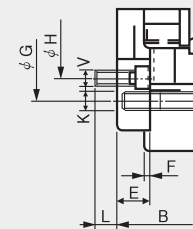


Fig-2

Dimensions

| | A | B | C(H6) | D | E | F | G | H | J | K | L | M | Nmax. | Nmin. | Omax. | Omin. | Pmax. | Pmin. | Q | R | S | T | Umax. | V | W | X | Y | Z |
|-----------|-----|-----|-------|---------|----|---|-------|-------|-------|-------|----|----|-------|-------|-------|-------|-------|-------|----|----|----|---|----------|-------|----|----|-----|-----|
| HAH-15A08 | 381 | 160 | 300 | 139.719 | 33 | 6 | 235.0 | 171.4 | 117.5 | 6-M20 | 24 | 43 | 82 | 76.7 | 43.75 | 18.25 | 44 | 21 | 62 | 22 | 39 | 5 | M130×2.0 | 6-M16 | 60 | 70 | 165 | 139 |
| HAH-15A11 | 381 | 149 | 300 | 196.869 | 22 | 6 | 260 | 235.0 | 117.5 | 6-M20 | 28 | 43 | 82 | 76.7 | 43.75 | 18.25 | 33 | 10 | 62 | 22 | 39 | 5 | M130×2.0 | 3-M10 | 60 | 70 | 165 | 139 |
| HAH-18A11 | 450 | 149 | 380 | 196.869 | 22 | 6 | 320 | 235.0 | 117.5 | 6-M20 | 28 | 43 | 82 | 76.7 | 78.25 | 18.25 | 33 | 10 | 62 | 22 | 39 | 5 | M130×2.0 | 3-M10 | 60 | 70 | 165 | 139 |
| HAH-21A15 | 530 | 161 | 380 | 285.775 | 27 | 6 | 330.2 | 330.2 | 140 | 6-M22 | 34 | 60 | 98.5 | 93.2 | 87.5 | 21.5 | 38 | 15 | 65 | 25 | 39 | 5 | M155×3.0 | 3-M12 | 80 | 72 | 180 | 170 |
| HAH-24A15 | 610 | 170 | 380 | 285.775 | 27 | 6 | 330.2 | 330.2 | 165 | 6-M22 | 35 | 60 | 108 | 102.7 | 117.5 | 21.5 | 47 | 24 | 65 | 25 | 40 | 5 | M175×3.0 | 3-M12 | 80 | 72 | 180 | 187 |

※ Refer to figure 2 for HAH-12A06, and HAH-15A8.

※ HAH-21A15 and HAH-24A15 are available with M22 or M24 mounting bolts.

Specifications

| | Spindle Nose No. | Thru Hole Diameter(mm) | Grip Dia. (mm) | | Jaw STROKE Diameter. (mm) | PLUNGER STROKE (mm) | Permissible Input Force KN(kgf) | Max. Static Gripping Force KN(kgf) | Max. r.p.m min-1(r.p.m) | weight kgf | GD ² N·m ² (kgf·m ²) | Operating Cylinder | Max. Hydraulic Pressure MPa(kgf/cm ²) | Operating HARD JAW | KITAKAWA Model |
|-----------|------------------|------------------------|----------------|------|---------------------------|---------------------|---------------------------------|------------------------------------|-------------------------|------------|--|---------------------|---|--------------------|----------------|
| | | | Max. | Min. | | | | | | | | | | | |
| HAH-15A08 | A2-8 | 117.5 | 381 | 30 | 10.6 | 23 | 71(7240) | 180(18355) | 2500 | 134 | 96.89(9.88) | SH-25011 (HYH-2511) | 2.3(23.5) | HB15A1 | B-15A8 |
| HAH-15A11 | A2-11 | 117.5 | 381 | 30 | 10.6 | 23 | 71(7240) | 180(18355) | 2500 | 127 | 93.55(9.54) | SH-25011 (HYH-2511) | 2.3(23.5) | HB15A1 | B-15A11 |
| HAH-18A11 | A2-11 | 117.5 | 450 | 30 | 10.6 | 23 | 71(7240) | 180(18355) | 2000 | 178 | 187.30(19.1) | SH-25011 (HYH-2511) | 2.3(23.5) | HB15A1 | B-18A11 |
| HAH-21A15 | A2-15 | 140 | 530 | 87 | 10.6 | 23 | 90(9177) | 234(23861) | 1700 | 246 | 362.83(37.0) | SH-25011 (HYH-2511) | 3.0(30.6) | HB18B2 | B-21A15 |
| HAH-24A15 | A2-15 | 165 | 610 | 110 | 10.6 | 23 | 90(9177) | 234(23861) | 1400 | 304 | 660.94(67.4) | SYHL-2816 | 3.0(30.6) | HB18B2 | B-24A15 |

※ Blank and machined draw-nuts are available.

※ Specifications are subject to change without notice.

※ Maximum turning speed is based on actual measurements.