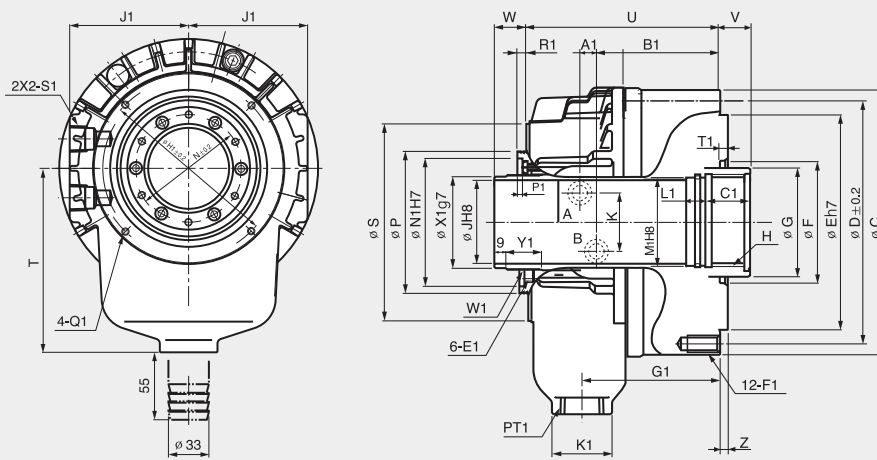


SHL

SHORT-BODY LONG-STROKE OPEN-CENTER HYDRAULIC CYLINDER



Short-body long-stroke open-center hydraulic cylinder with built in lock and relief valves



Dimensions

	C	D	E	F	G	Hmax.	J	K	N	P	S	T	U	Vmax.	Vmin.	Wmax.	Wmin.	Z	A1	B1
SHL-17068	210	190	160	120	85	M75×2.0	68	48	88	111	154	150	175	35	-5	65	25	5	10	128
SHL-18077	218	190	160	120	95	M85×2.0	77	48	108	121	164	165	182	35	-5	65	25	5	10	134.5
SHL-25011	310	275	230	166	140	M130×2.0	117.5	46	138	170	230	107.5	258	46	-4	87	37	6	19	176.5

	C1	E1	F1DP'	G1	H1	J1	K1	L1	M1	N1	P1	Q1	R1	S1	T1	W1	X1	Y1
SHL-17068	35	M6	M10×20	133	145	97	47	15	71	100	4	M6×10	7	PT 1/2	5	M74×1.5	71.5	26
SHL-18077	35	M6	M10×20	140	155	102	47	15	80	108	4	M6×10	7	PT 1/2	5	M84×2.0	81	26
SHL-25011	45	M6	M16×32	190.5	206	140	55	120	123	150	5.5	M6×12	7.5	PT 1/2	6	M124×2.0	122	29

Specifications

	Available I.D.	Cylinder Diameter (mm)	PISTON STROKE (mm)	Piston force		Max. Operating Pressure MPa(kgf/cm ²)	Max. r.p.m min ⁻¹ (r.p.m)	GD ² N·m ² (kgf·m ²)	weight kgf	Total Leakage ℓ (min)
				push KN(kgf)	pull KN(kgf)					
SHL-17068	68	170	40	63(6531)	59.8(6060)	4.0(40.8)	5600	0.69(0.070)	17.8	4.0
SHL-18077	77	185	40	75.3(7632)	69.6(7087)	4.0(40.8)	5000	0.86(0.088)	18.5	4.2
SHL-25011	117.5	255	50	32(13390)	121(12305)	4.0(40.8)	3000	1.9(0.193)	54	7.0

* Specifications are subject to change without notice.