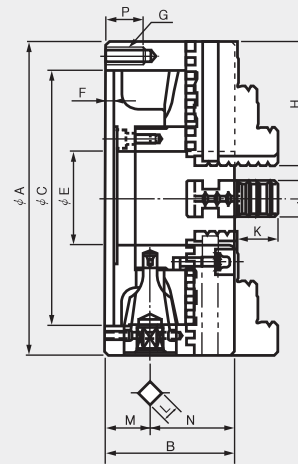
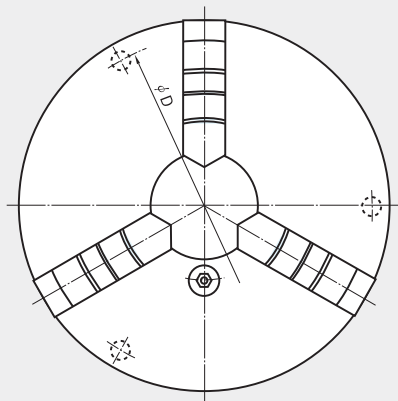


SC

STANDARD SCROLL CHUCK (SOLID-JAW) (85MM - 192MM)



Standard 1-piece jaw scroll chuck
(incl. internal and external jaws)



Dimensions

	A	B	C(H6)	D	E	F	G	H	J	K	L	M	N	P
SC-85(3")	85	45	60	73	16	3.5	3-M6	35	11	15.5	7	17	27.1	13
SC-110(4")	110	58	80	95	24	4.5	3-M8	44	14	18.75	8	24.5	32.35	16
SC-130(5")	130	60	100	115	34	4.5	3-M8	50	16	20.1	8	22.5	37	16
SC-165(6")	167	65	130	147	45	5	3-M10	65	19	25.07	10	24	41	20
SC-190(7")	192	75	155	172	57	5	3-M10	75	22	30.06	11	27.5	47.5	20

Specifications

	Max. Static Gripping dia. KN(kgf)	Max. r.p.m min ⁻¹ (r.p.m)	weight kgf	GD ² N·m ² (kgf·m ²)	(Gripping diameter)		Handle Torque N·m(kgf·m)
					(External) φmm	(Internal) φmm	
SC-85(3")	9(918)	2500	1.5	0.05(0.005)	2~70	24~64	29.4(3.0)
SC-110(4")	12(1224)	2500	3.1	0.17(0.017)	3~95	29~84	44.1(4.5)
SC-130(5")	15(1530)	2500	4.4	0.35(0.036)	3~110	33~100	63.7(6.5)
SC-165(6")	31(3161)	4000	11.4	1.18(0.12)	3~160	48~150	88.3(9.0)
SC-190(7")	31(3161)	3500	12.2	2.35(0.24)	4~180	56~170	107.9(11.0)

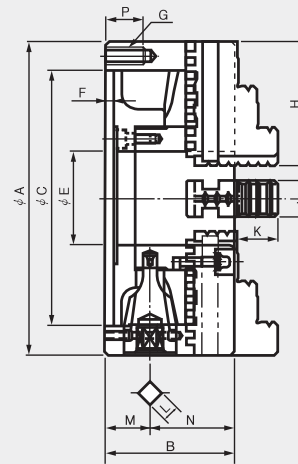
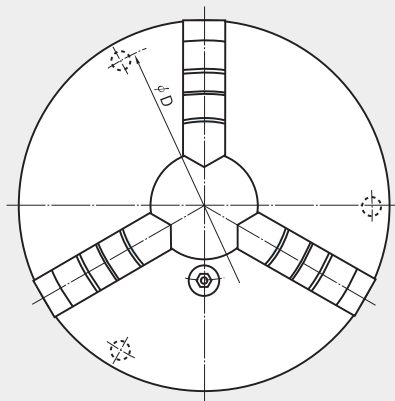
* Specifications are subject to change without notice.

SC

STANDARD SCROLL CHUCK (SOLID-JAW) (232MM - 405MM)



Standard 1-piece jaw scroll chuck
(incl. internal and external jaws)



Dimensions

	A	B	C(H6)	D	E	F	G	H	J	K	L	M	N	P
SC-230(9")	232	84	190	210	75	6	3-M12	87	24	35.04	12	29.5	54.5	25
SC-273(10")	273	86	230	250	89	6	3-M12	98	28	40.02	12	31.5	54.5	25
SC-310(12")	310	96	260	285	100	7	3-M12	110	30	45.08	14	31.5	64.5	25
SC-355(14")	355	110	300	328	105	8	6-M12	133	35	62.98	14	42.4	67.6	36
SC-405(16")	405	114.5	345	375	130	8	6-M12	133	35	63	15	43	71.5	36

Specifications

	Max. Static Gripping dia. KN(kgf)	Max. r.p.m min ⁻¹ (r.p.m)	weight kgf	GD ² N·m ² (kgf·m ²)	(Gripping diameter)		Handle Torque N·m(kgf·m)
					(External) φmm	(Internal) φmm	
SC-230(9")	37 (3773)	2900	21.2	6.27 (0.64)	5~220	62~210	147 (15.0)
SC-273(10")	46 (4691)	2500	28	9.90 (1.01)	5~260	70~250	176.5 (18.0)
SC-310(12")	55 (5608)	2200	41	23.0 (2.35)	10~300	86~290	206 (21.0)
SC-355(14")	40.5 (4130)	1500	54	37.2 (3.8)	25~315	107~290	225.6 (23.0)
SC-405(16")	45 (4589)	1500	74	67.6 (6.9)	25~346	113~324	245 (25.0)

* Specifications are subject to change without notice.