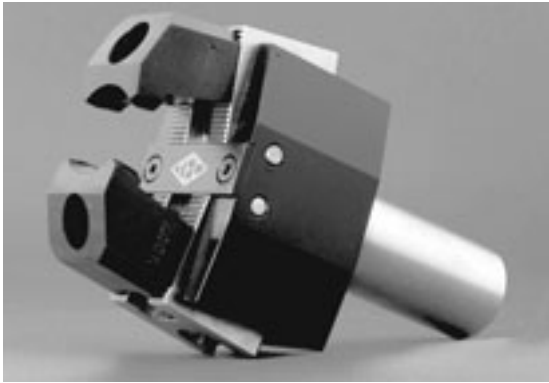


Powerpull Bar Puller

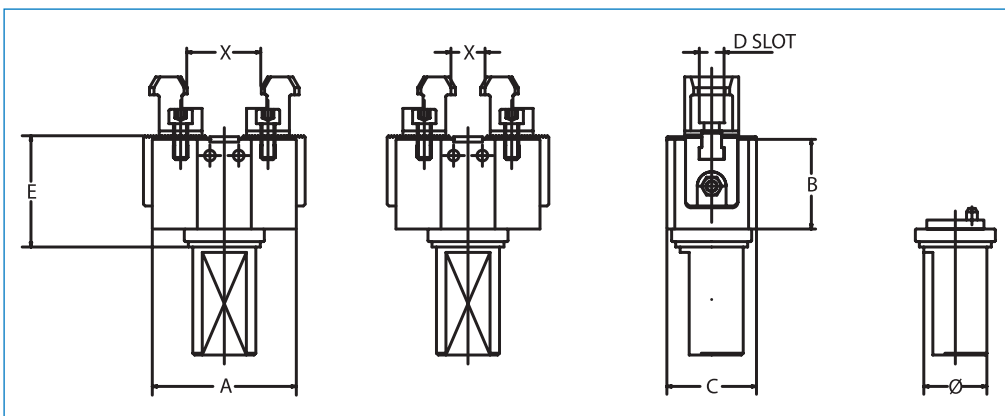
- Two body sizes
- Bar capacity 6 - 90mm
- Adjustable gripping pressure
- Robust construction
- Unit supplied with one pair reversible gripping jaws
- Choice of plain or VDI shank



The Powerpull Bar Puller is for use on CNC or Automatic Lathes with an interchangeable tool turret. It is designed to pull bar stock and tubes into position for machining purposes, thus giving the ability for unmanned operation, without the expense and room needed with a bar feeder. The Powerpull is a two-jaw lever chuck with variable tensioning jaws which cater for most types of material. It comes in two body sizes each with one set of reversible clamping jaws. This easy to set Bar Puller has adjustable gripping pressure and comes with a choice of standard plain or VDI shanks. Special jaws can be designed and manufactured to suit unusual applications.

THAME PART No.	BODY DATA							GRIP RANGE x	PLAIN SHANKS	VDI SHANKS	CLAMPING FORCE kN	
	A	B	C	D	E	F	U				MIN	MAX
ER 04	85	49	50	11	59	M8	2.5	6 - 36	32 Dia.	30 Dia.	1,30	1,70
								34 - 64	40 Dia.	40 Dia.		
									50 Dia.	50 Dia.		
ER 06	120	60	60	14	72	M10	3	6 - 60	32 Dia.	30 Dia.	2,00	2,70
								50 - 90	40 Dia.	40 Dia.		
									50 Dia.	50 Dia.		

Technical Data



Powerpull on turret pulling bar into position

Operating Description

The bar stock is initially fed manually through the machine's hollow spindle to a fixed stop, the bar is then clamped by the spindle mounted chuck or collet and machining sequence completed. The Powerpull mounted in the turret is brought towards the headstock and the jaws of the Powerpull are forced over the bar clamped in the spindle chuck. The spindle chuck is then unclamped and the spring gripping jaws of the Powerpull grip the bar stock, enabling a positive bar drag out to a pre-determined stop position. The spindle chuck is then re-operated to clamp the bar and the turret is withdrawn further to release the jaws. The bar is then ready for the machining process to be repeated.

THAME WORKHOLDING

Field End, Thame Road, Long Crendon, Aylesbury, Bucks, HP18 9EJ England
 Telephone: + 44 (0)1844 208050 Fax: + 44 (0)1844 201699
 E-mail: sales@thameworkholding.com Web: www.thameworkholding.com