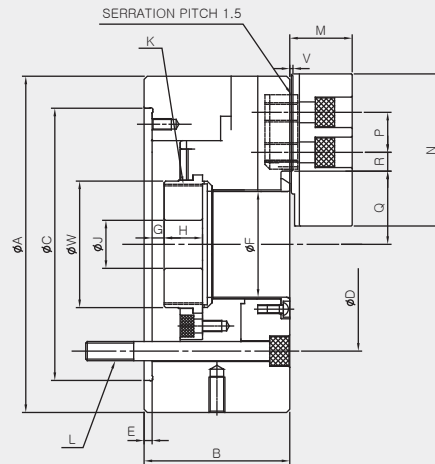
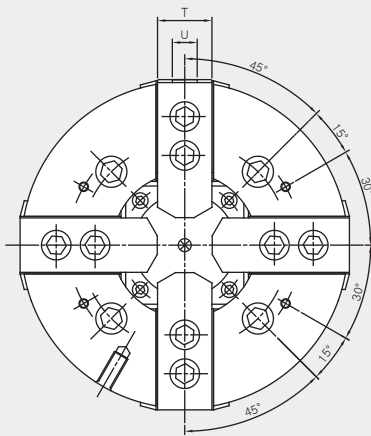


# HSF/HHF

## 4-JAW HIGH-SPEED OPEN-CENTER CHUCK



4-jaw high-speed wedge-type open-center power chuck



### Dimensions

	A	B	C(H6)	D	E	F	Gmax.	Gmin.	H	J	Kmax.	L	M	N	P	Qmax.	Qmin.	Rmax.	Rmin.	T	U	V	W
HHF-208	210	91	170	133.4	5	66	7.5	-10	27	30	M75×2.0	4-M12×115	39	95	25	45.7	42	23.75	11.75	35	14	2	80
HSF-08	210	91	170	133.4	5	52	14.5	-1.5	20.5	30	M60×2.0	4-M12×105	39	95	25	38.7	35	29.75	14.75	35	14	2	66
HSF-10	254	100	220	171.4	5	77	8.5	-11	25	45	M85×2.0	4-M16×120	43	110	30	51	46.6	33.75	14.25	40	16	2	94
HSF-12	304	110	220	171.4	6	91	8	-15	28	50	M100×2.0	4-M16×130	51	111	30	61.3	56	45.75	15.75	50	21	2	108

### Specifications

	Thru Hole Diameter.(mm)	Grip Dia. (mm)		Jaw STROKE Diameter. (mm)	PLUNGER STROKE (mm)	Permissible Input Force KN(kgf)	Max. Static Gripping Force KN(kgf)	Max. r.p.m min~(r.p.m)	weight kgf	GD <sup>2</sup> N·m <sup>2</sup> (kgf·m <sup>2</sup> )	Operating Cylinder	Max. Hydraulic Pressure MPa(kgf/cm <sup>2</sup> )	Operating HARD JAW	KITAKAWA Model
		Max.	Min.											
HHF-208	66	210	23	7.4	17.5	23.5(2397)	57.9(5914)	5000	23.5	5.59(0.57)	SH-17068 (SYH-1768)	16(16.4)	HB08A1	-
HSF-08	52	210	13	7.4	16	23.2(2366)	57.3(5843)	5000	22.5	6.67(0.68)	SH-15052 (SYH-1552)	1.8(18.4)	HB08A1	-
HSF-10	77	254	31	8.8	19	28.5(2906)	74(7546)	4200	34.5	1.23(0.13)	SH-18077 (SYH-1877)	1.8(18.4)	HB10A1	-
HSF-12	91	304	34	10.6	23	36.7(3742)	96(9789)	3300	52	27.47(2.8)	SH-21091 (SYH-2091)	2.8(28.5)	HB12N1	-

※ Maximum turning speed is based on actual measurements.  
 ※ Specifications are subject to change without notice.