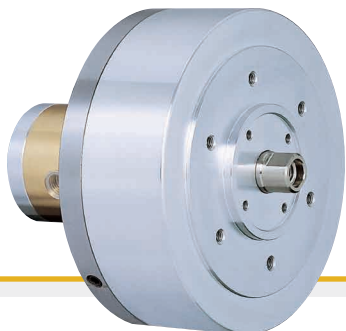
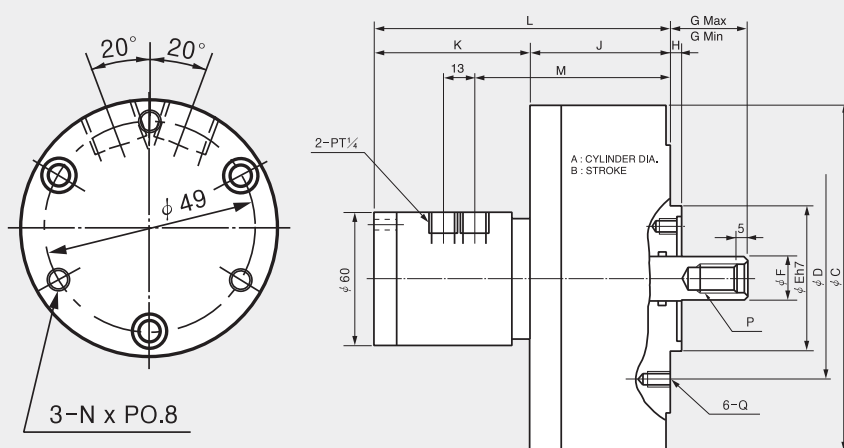


# AY-R

## CLOSED-CENTERED AIR CYLINDER



Closed-centered air cylinder



### Dimensions

	A	B	C	D	E(h7)	F	G		H	J	K	L	M	N	Q	P
							max.	min.								
AY-1005R	100	5	128	90	65	20	30	25	5	53	70	123	79	M5	M6×11	M12×22
AY-1315R	130	15	156	90	65	20	35	20	5	63	70	133	89	M5	M6×11	M12×22
AY-1720R	170	20	200	100	80	25	65	45	5	82	70	152	108	M5	M10×16	M16×30
AY-2225R	220	25	255	130	110	30	71	46	5	93	70	163	119	M5	M12×20	M20×35
AY-2730R	270	30	305	130	110	35	76	46	5	103	74.5	177.5	133.5	M5	M12×20	M24×40

### Specifications

	PISTON STROKE (mm)	Piston Surface Area		Piston force (5kgf/cm <sup>2</sup> )	Max. Operating Pressure MPa(kgf/cm <sup>2</sup> )	Max. r.p.m min <sup>-1</sup> (r.p.m)	weight kgf	GD <sup>2</sup> N·m <sup>2</sup> (kgf·m <sup>2</sup> )
		push cm <sup>2</sup>	pull cm <sup>2</sup>					
AY-1005R	5	78.5	73.6	515.2	8	5000	4.1	0.07
AY-1315R	15	131.0	128.0	770	8	5000	5.2	0.07
AY-1720R	20	225.0	220.1	1320	8	5000	8.3	0.11
AY-2225R	25	378.0	371.1	2230	8	4000	13.3	0.25
AY-2730R	30	570.4	560.8	3370	8	3000	18.7	0.75

※ Total leakage pressure: 3.0 Mpa (30.6 kgf/cm<sup>2</sup>) at 50<sub>l</sub>/EC. ※ Specifications are subject to change without notice.